

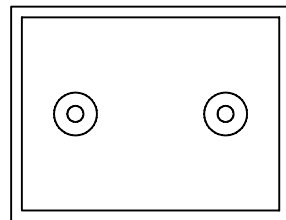
MODEL: M-18

MODEL: M-18 MOLDED BUMPER

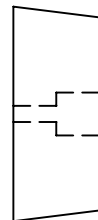
Size

Overall Length	18
Overall Thickness	4
- Height	10
- Anchor Holes	10
Total weight	25 lbs

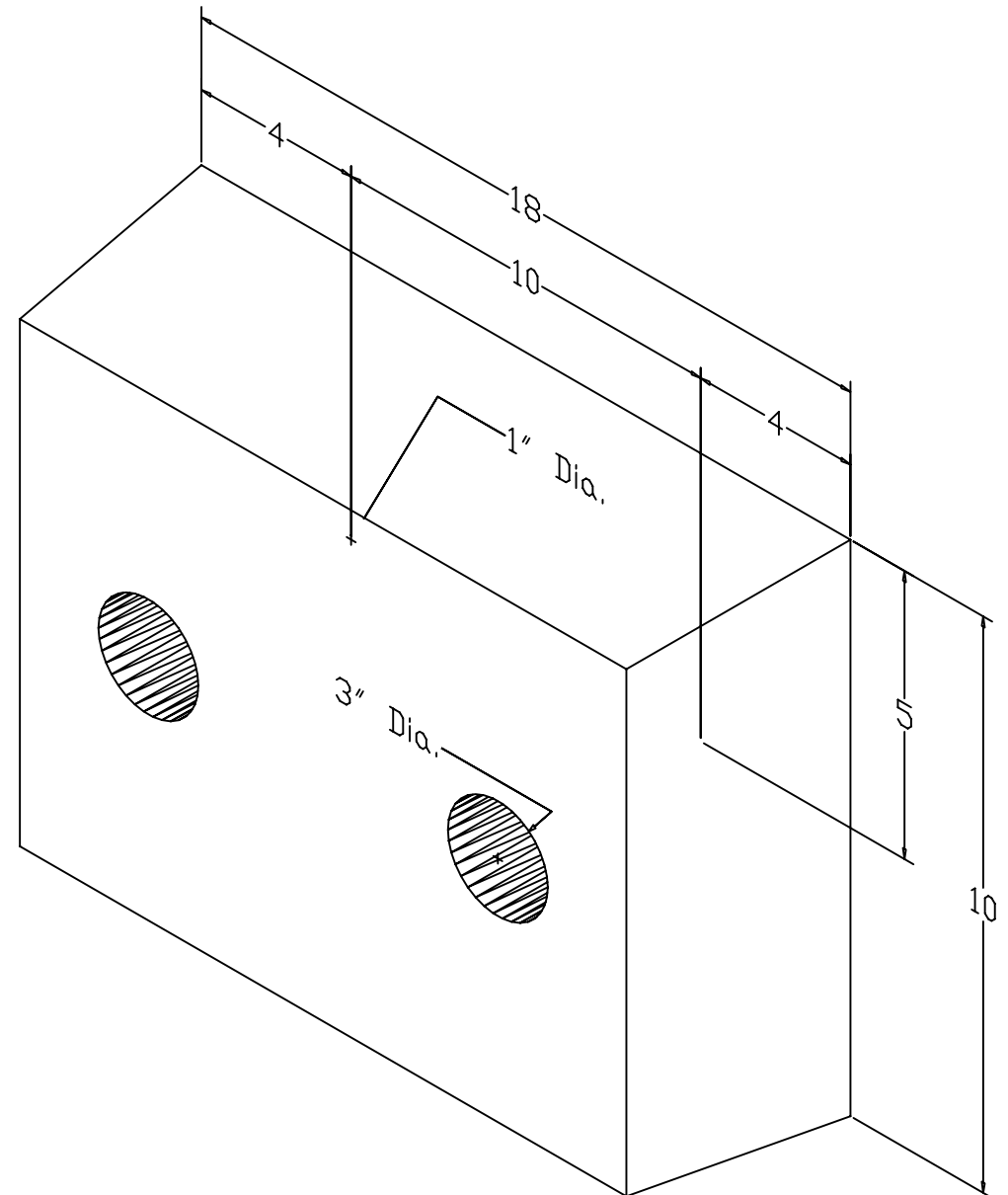
Date: 08/04/99
Scale: Full



FRONT VIEW



SIDE VIEW



Please Note: Weights are calculated and are not actual and overall tolerance may vary + or - 1/4".

SALES@FREYERLLC.COM