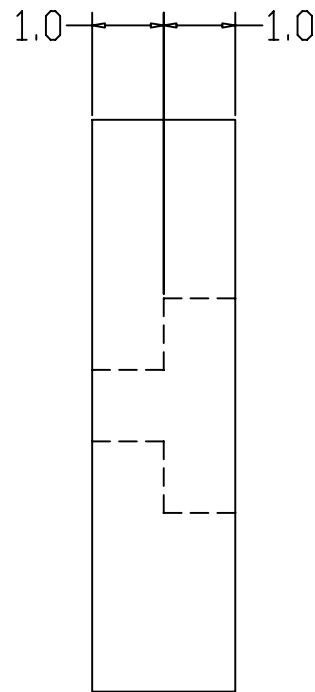


MODEL: M-2818

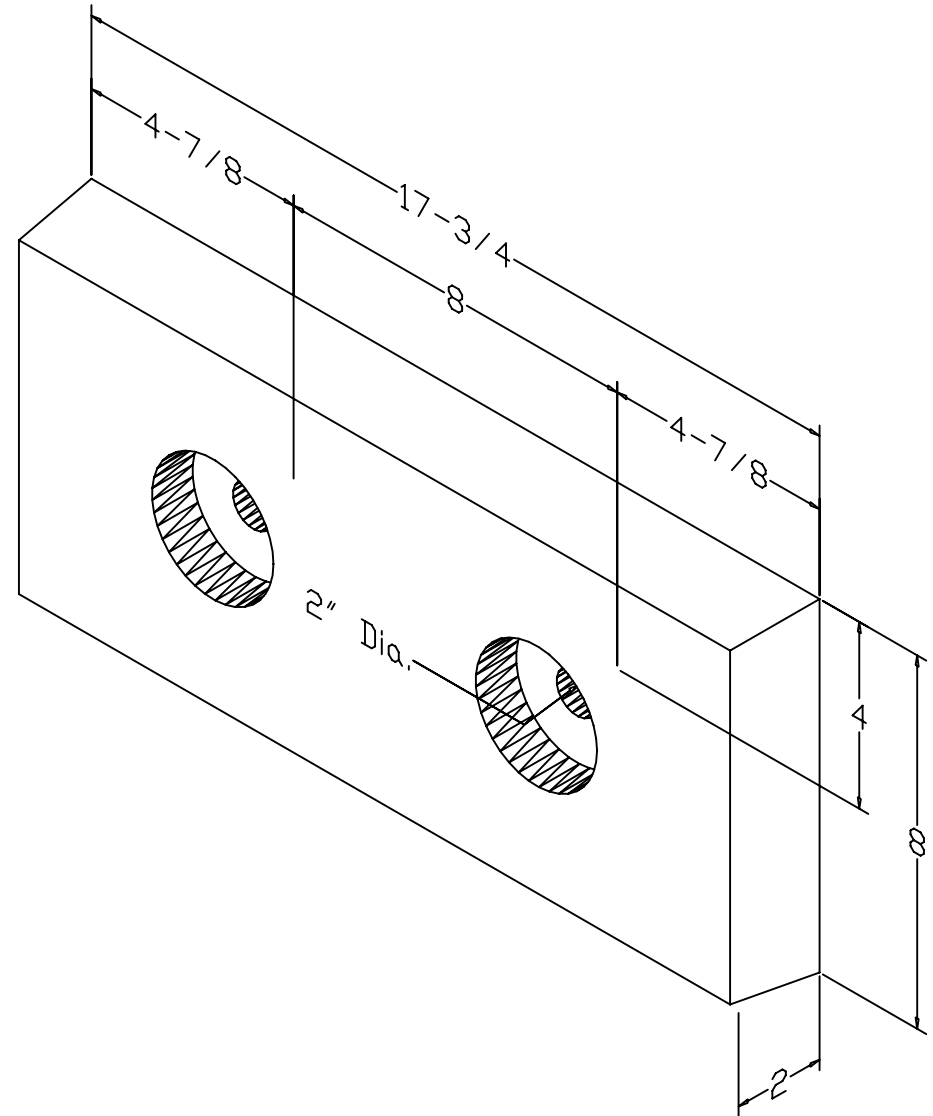
MODEL: M-2818 MOLDED BUMPER

Size	
Overall Length	17-3/4
Overall Thickness	2
- Height	8
- Anchor Holes	8
Total weight	11 lbs

Date: 08/04/99
Scale: Full



SIDE VIEW



Please Note: Weights are calculated and are not actual and overall tolerance may vary + or - 1/4".

SALES@FREYERLLC.COM